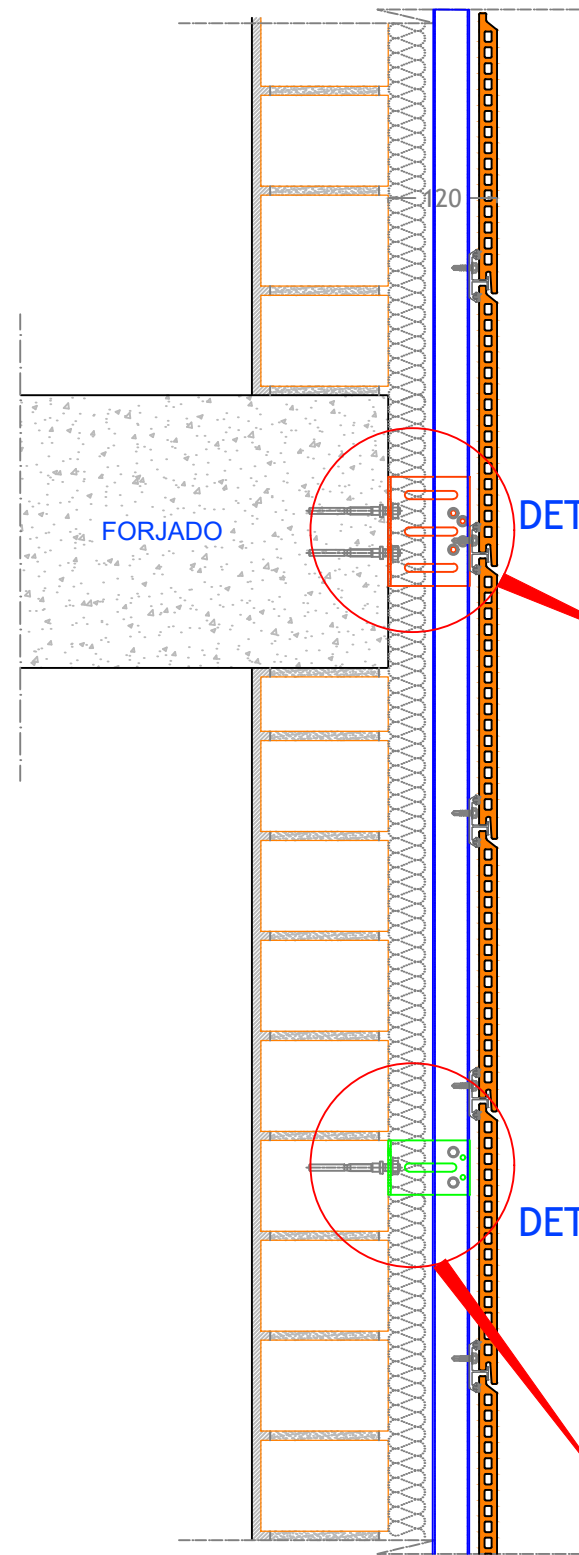


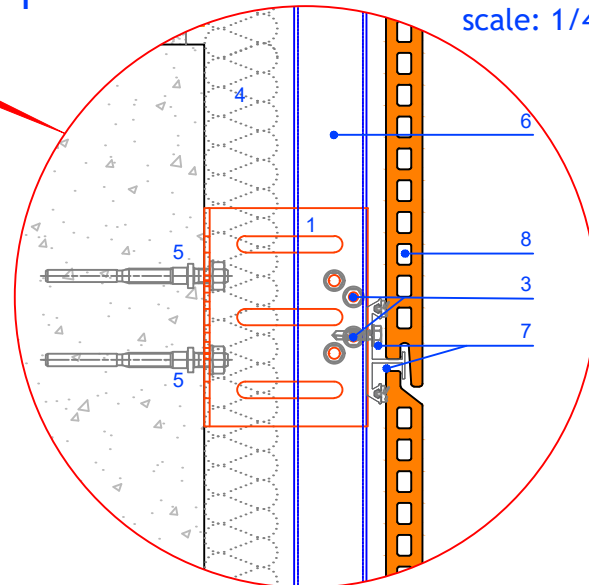
# VERTICAL SECTION

scale: 1/8



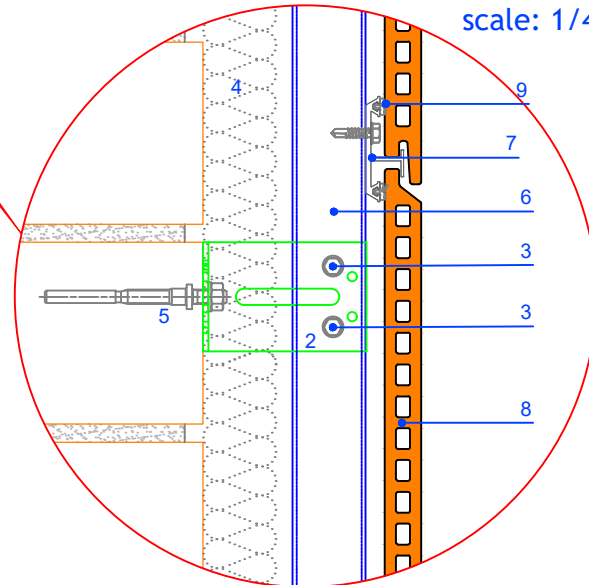
DET. 1

DETAIL 1  
scale: 1/4



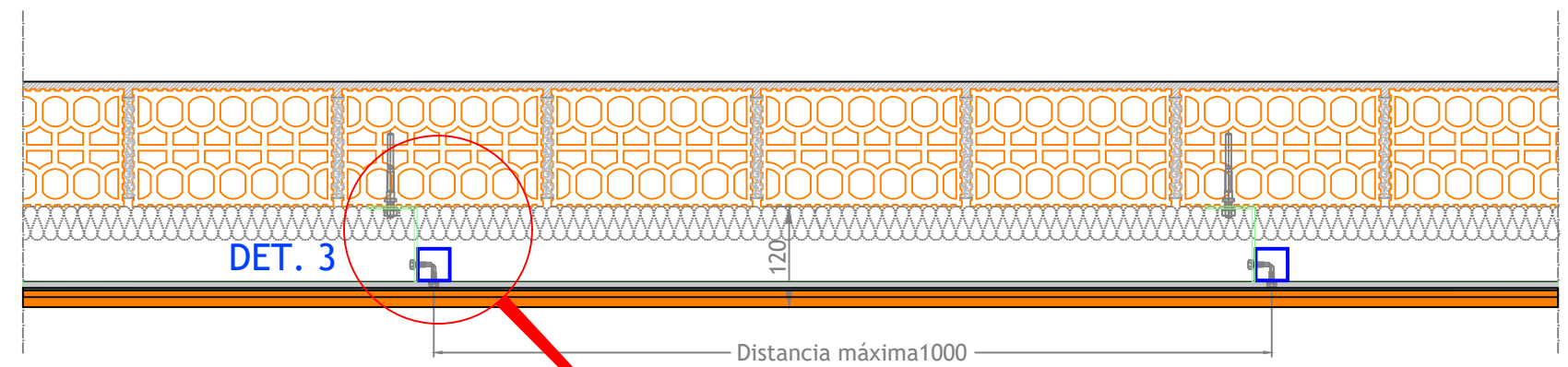
DET. 2

DETAIL 2  
scale: 1/4



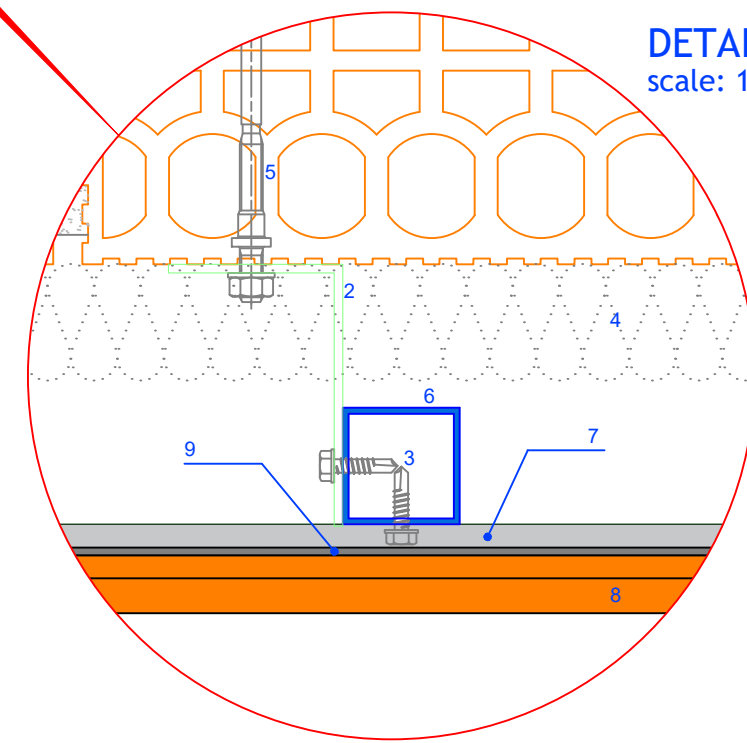
# HORIZONTAL SECTION

scale: 1/8



DET. 3

DETAIL 3  
scale: 1/2.5



### LEGEND :

- 1. SUPPORT BRACKET
- 2. STOP BRACKET
- 3. AUTOSCREW 5.5
- 4. INSULATION
- 5. MECHANICAL ANCHORAGE
- 6. VERTICAL PROFILE 40x40x2 mm.
- 7. HORIZONTAL PROFILE
- 8. FAVETON CERAM 20 CERAMIC TILE
- 9. EPDM JOINT

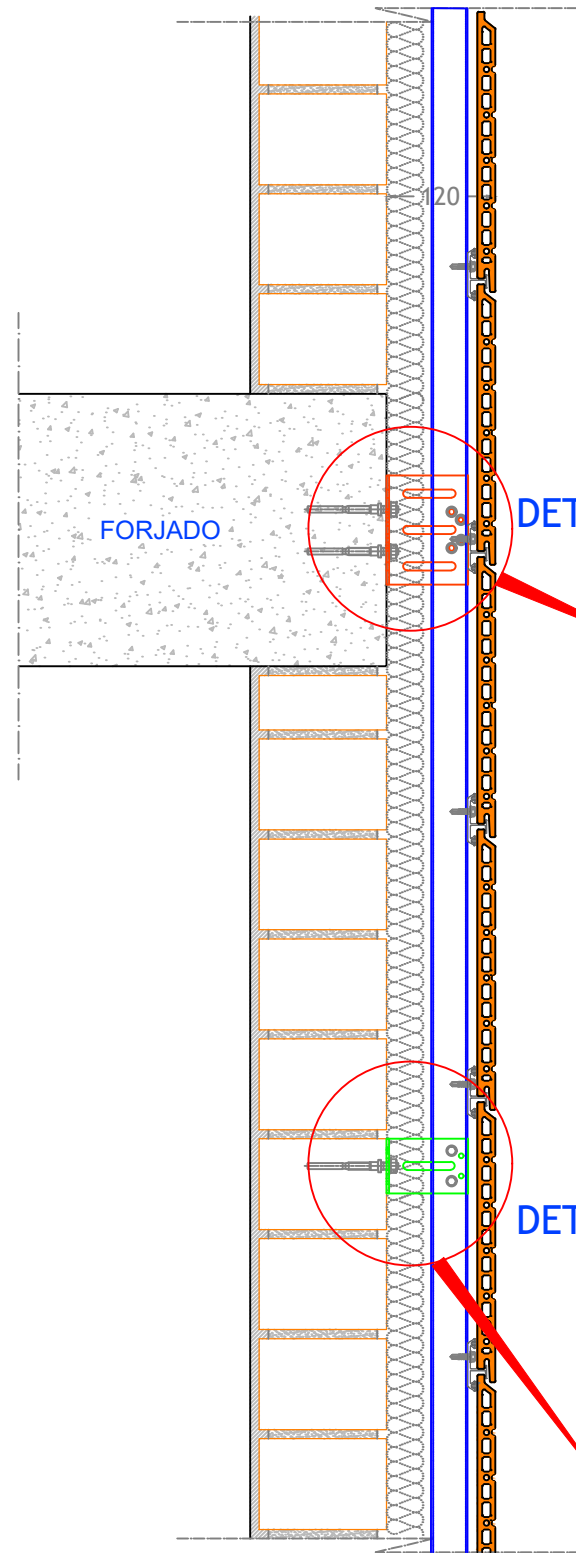
Measures in mm.

PROJECT: FAVETON CERAM 20 mm. SAC		CLIENT:	
PLAN: Sección Vertical - Sección Horizontal			PLAN Nº:
CONSTRUCTION SITE:		SCALE: Various	REVISION:
DRAWING BY: O.Benedicto		COMPUTER LOCALITATION:	DATE: 26/04/2018



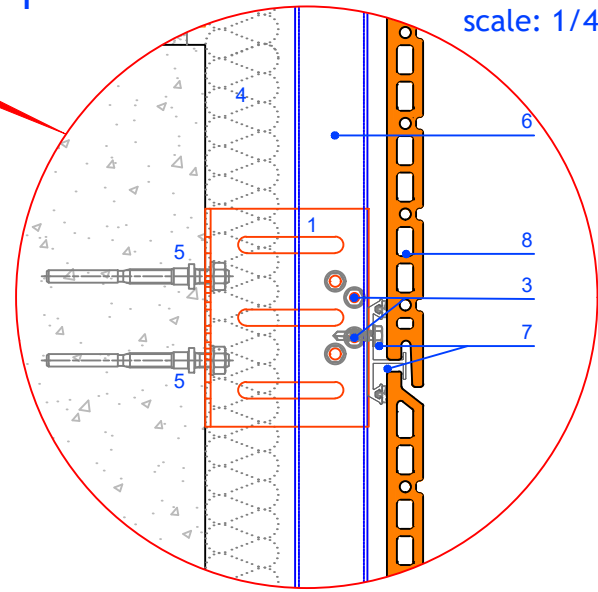
# VERTICAL SECTION

scale: 1/8



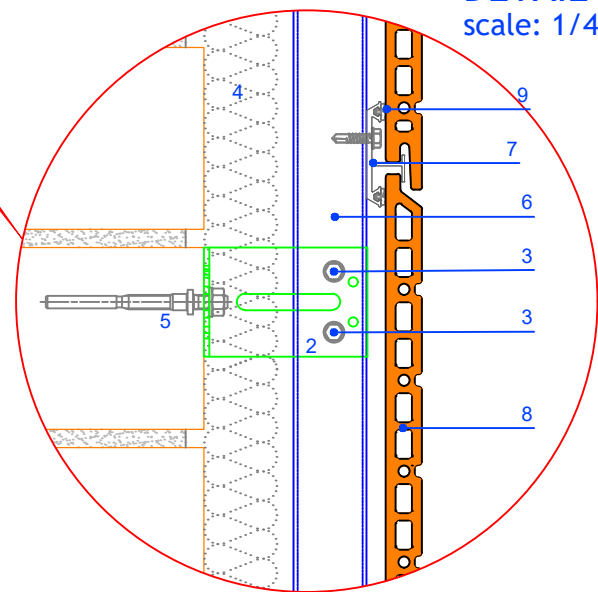
DET. 1

DETAIL 1  
scale: 1/4



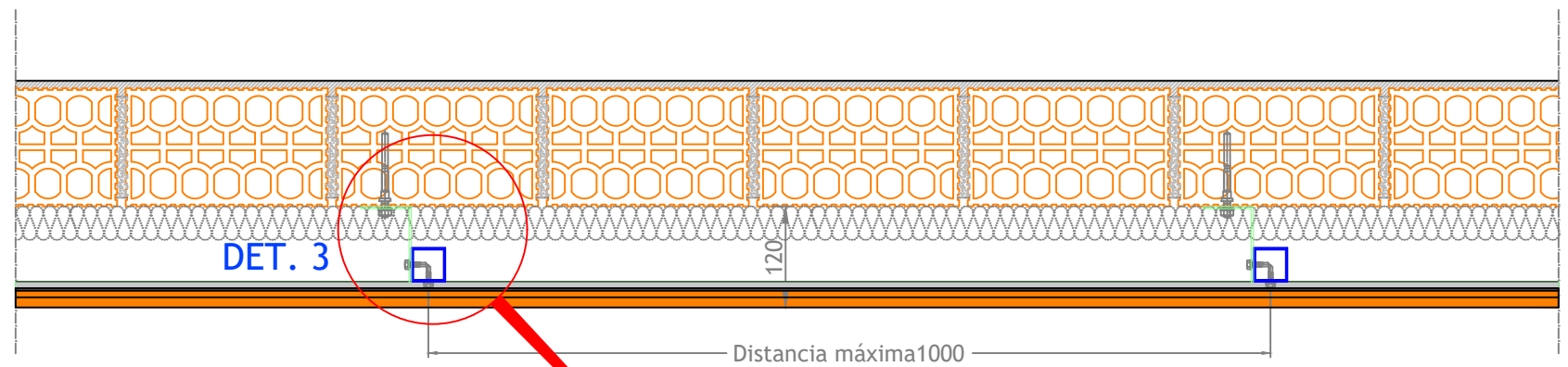
DET. 2

DETAIL 2  
scale: 1/4



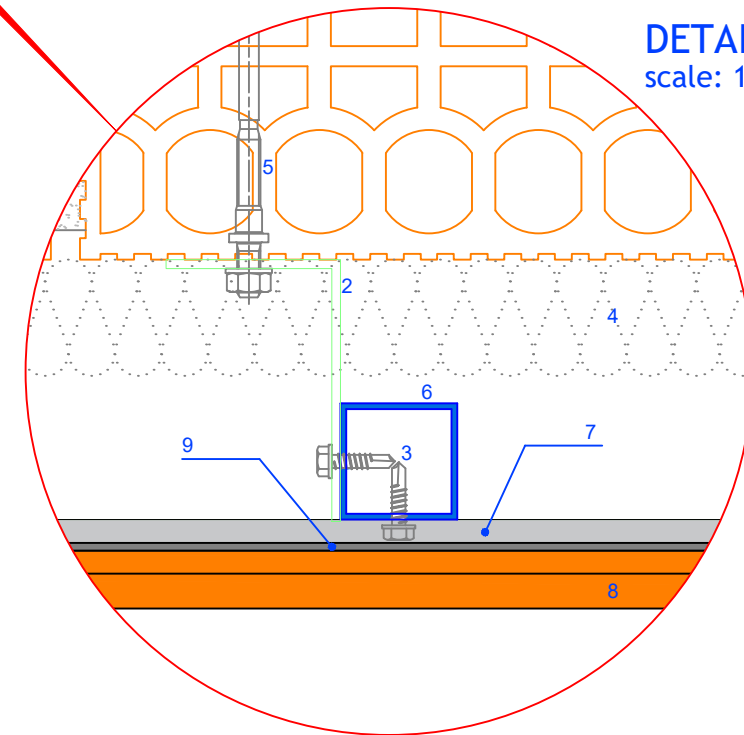
# HORIZONTAL SECTION

scale: 1/8



DET. 3

DETAIL 3  
scale: 1/2.5



### LEGEND :

- 1. SUPPORT BRACKET
- 2. STOP BRACKET
- 3. AUTOSCREW 5.5
- 4. INSULATION
- 5. MECHANICAL ANCHORAGE
- 6. VERTICAL PROFILE 40x40x2 mm.
- 7. HORIZONTAL PROFILE
- 8. FAVETON CERAM 20 SOROL CERAMIC TILE
- 9. EPDM JOINT

Measures in mm.

PROJECT: FAVETON CERAM 20 mm. SOROL SAC		CLIENT:	
PLAN: Sección Vertical - Sección Horizontal			PLAN Nº:
CONSTRUCTION SITE:		SCALE: Various	REVISION:
DRAWING BY: O.Benedicto		COMPUTER LOCALITATION:	DATE: 26/04/2018

