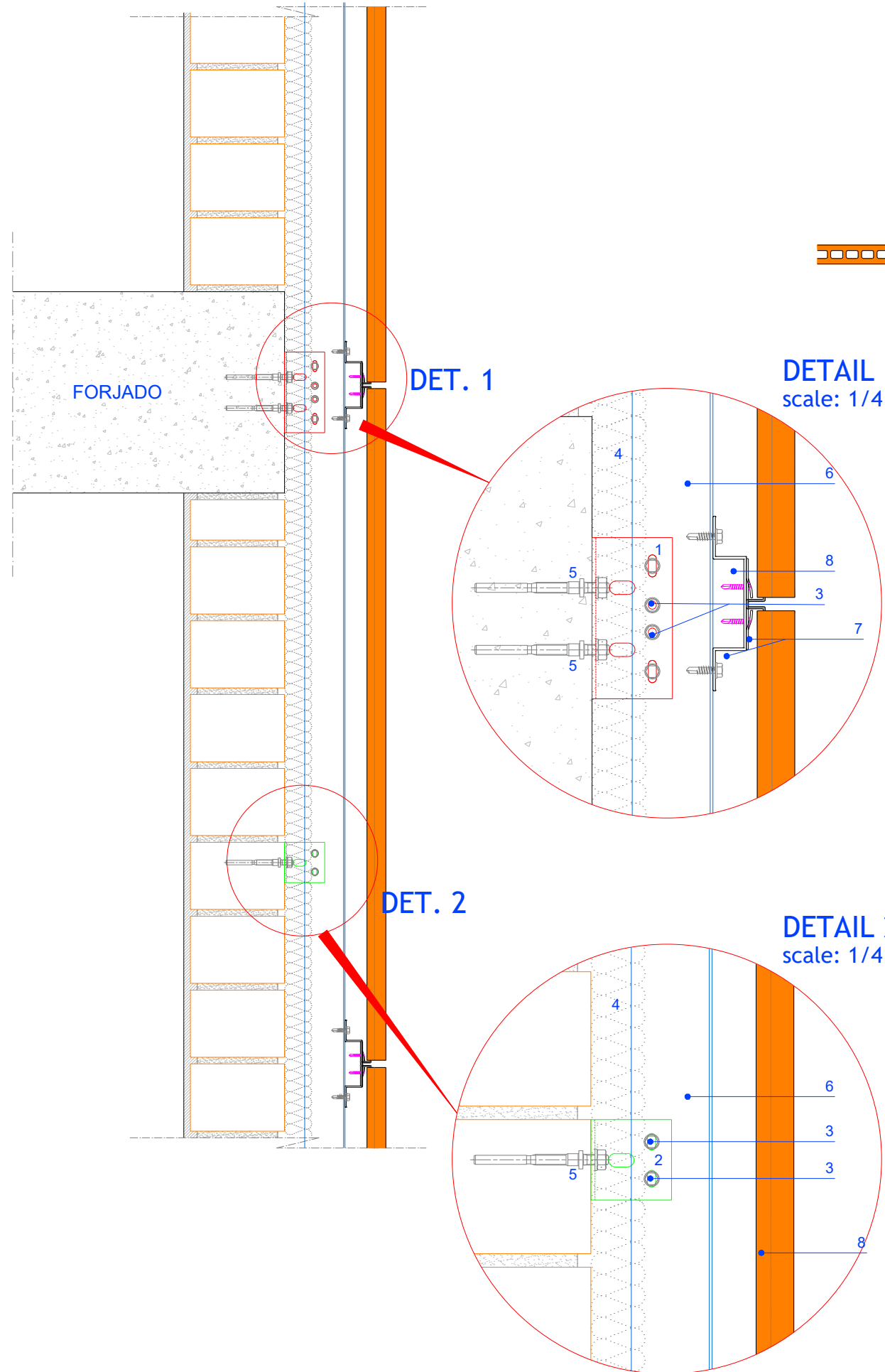


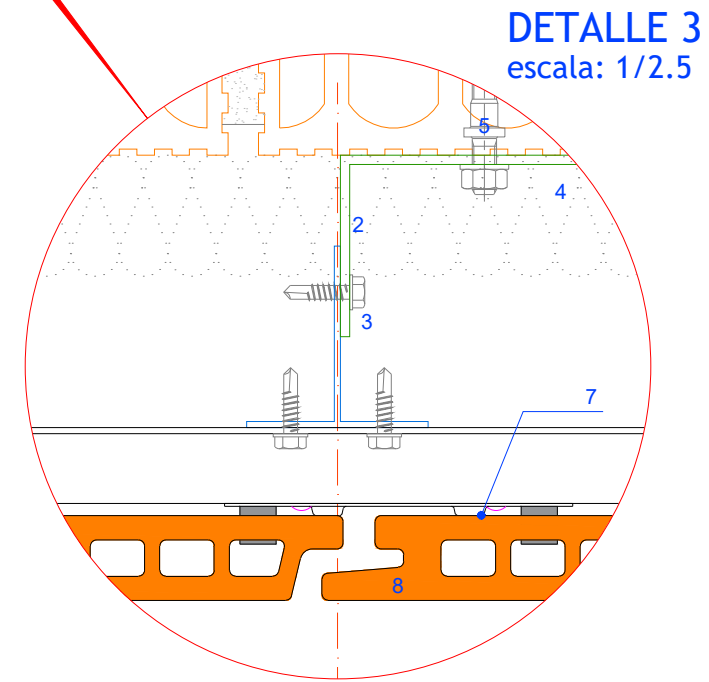
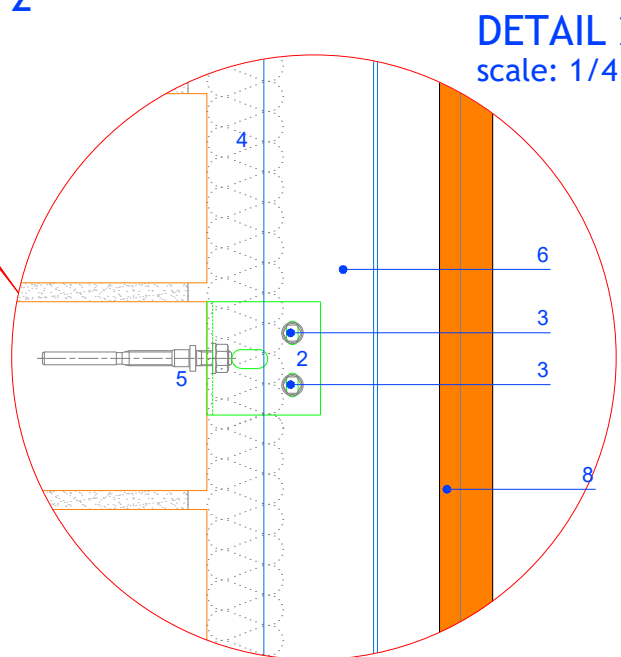
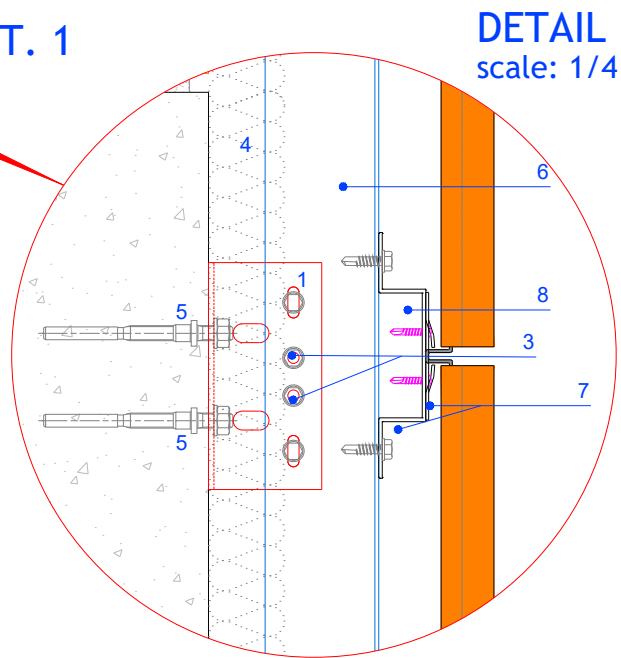
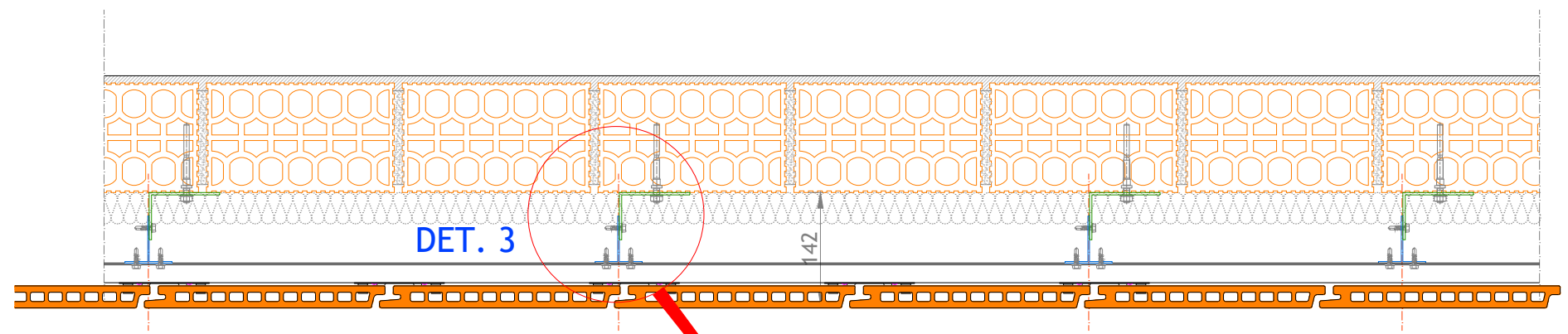
VERTICAL SECTION

scale: 1/8



HORIZONTAL SECTION:

scale: 1/8



LEGEND :

- 1. SUPPORT BRACKET
- 2. STOP BRACKET
- 3. AUTOSCREW 5.5mm
- 4. INSULATION
- 5. MECHANICAL ANCHORAGE
- 6. VERTICAL PROFILE 60x60
- 7. CLIP
- 8. FAVETON CERAM 28 CERAMIC TILE

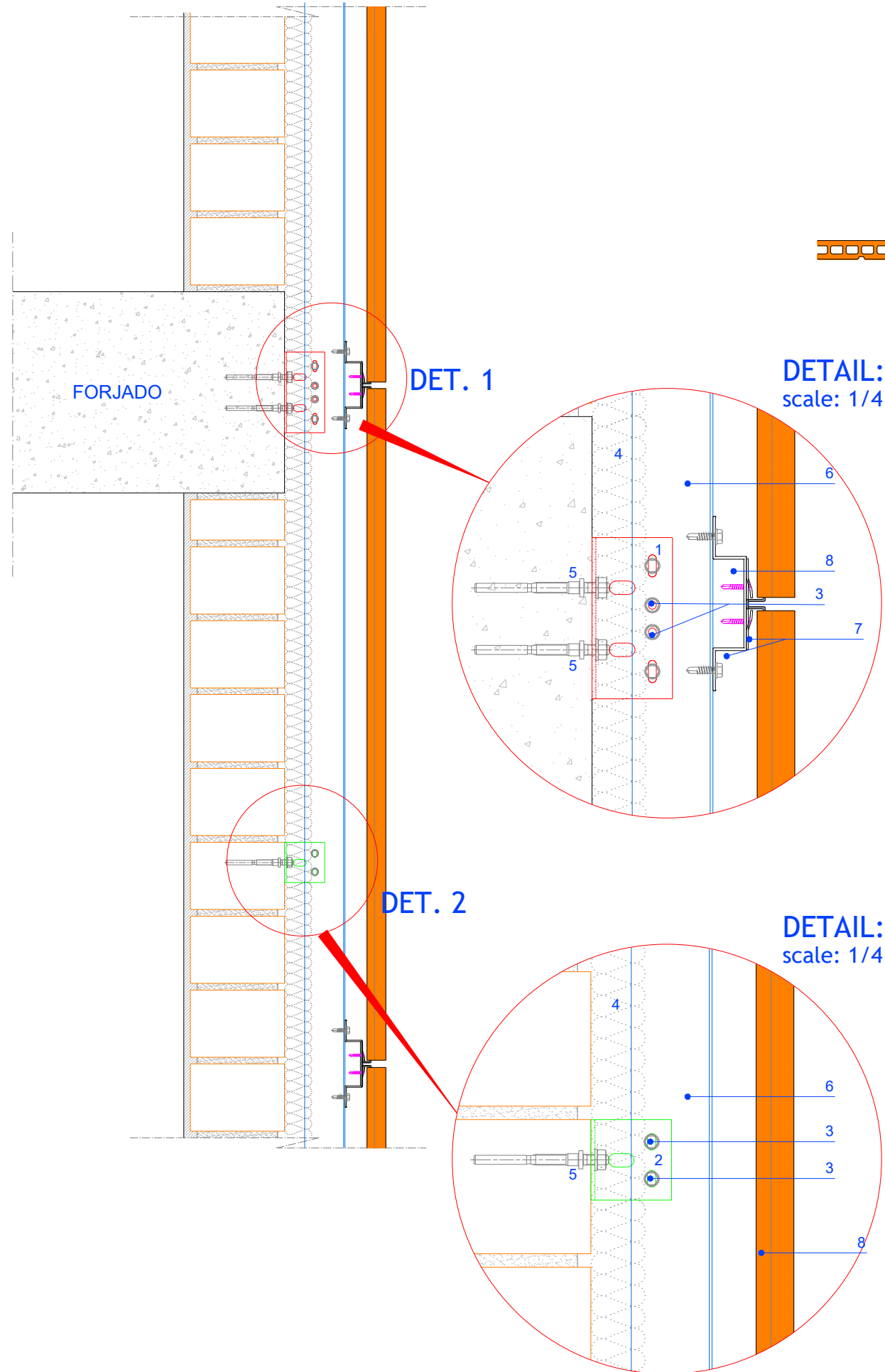
Measures in mm.

PROJECT: FAVETON CERAM 28 mm. SAC-G		CLIENT:	
PLAN: Sección Vertical - Sección Horizontal		PLAN Nº: FV000_01	REVISION:
CONSTRUCTION SITE:		SCALE: Various	REVISION:
DRAWING BY: O.Benedicto		COMPUTER LOCALITATION:	DATE: 26/04/2018

FAVETON
TERRACOTA

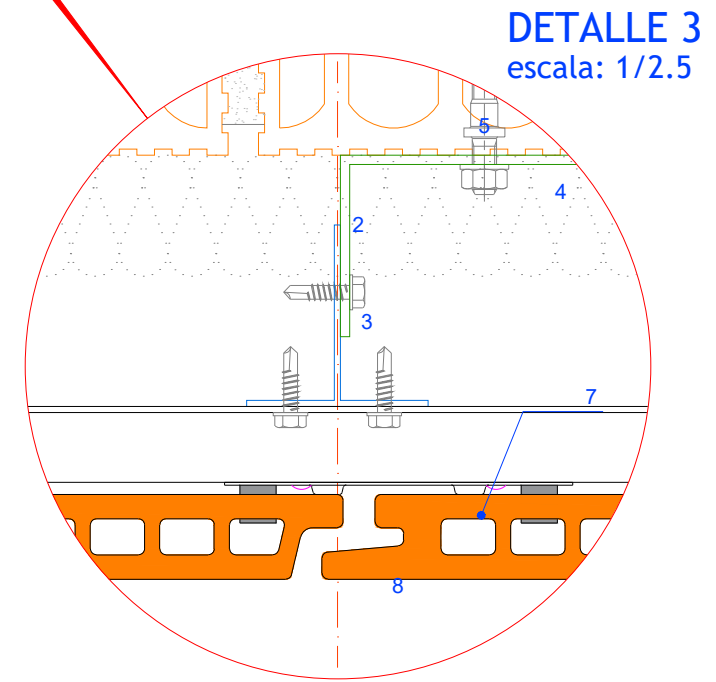
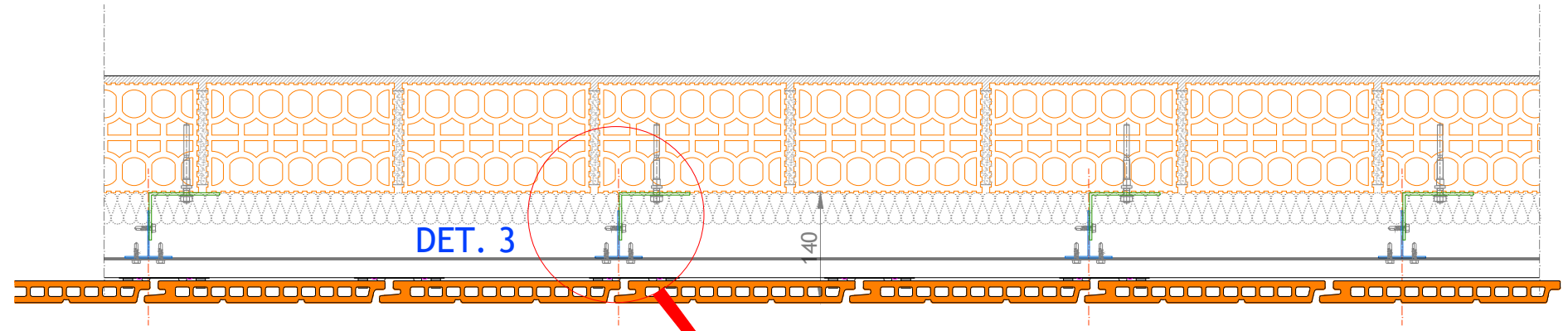
VERTICAL SECTION

scale: 1/8



SECCIÓN HORIZONTAL

scale: 1/8



LEGEND :

- 1. SUPPORT BRACKET
- 2. STOP BRACKET
- 3. AUTOSCREW 5.5mm
- 4. INSULATION
- 5. MECHANICAL ANCHORAGE
- 6. VERTICAL PROFILE 60x60
- 7. CLIP
- 8. FAVETON CERAM 28 SOROL CERAMIC TILE

Measures in mm.

PROJECT: FAVETON CERAM 28 mm. SOROL SAC-G		CLIENT:	
PLAN: Sección Vertical - Sección Horizontal		PLAN Nº: FV000_01	REVISION:
CONSTRUCTION SITE:		SCALE: Various	DATE: 26/04/2018
DRAWING BY: O.Benedicto		COMPUTER LOCALITATION:	

