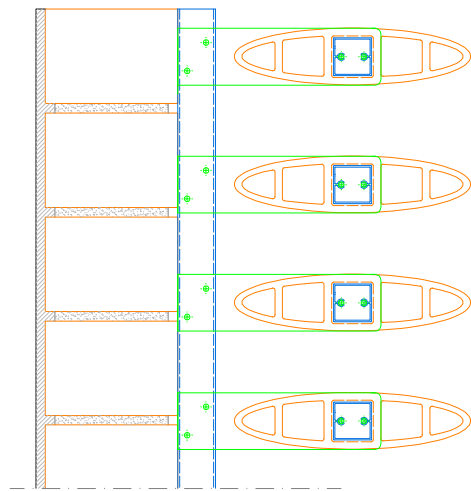


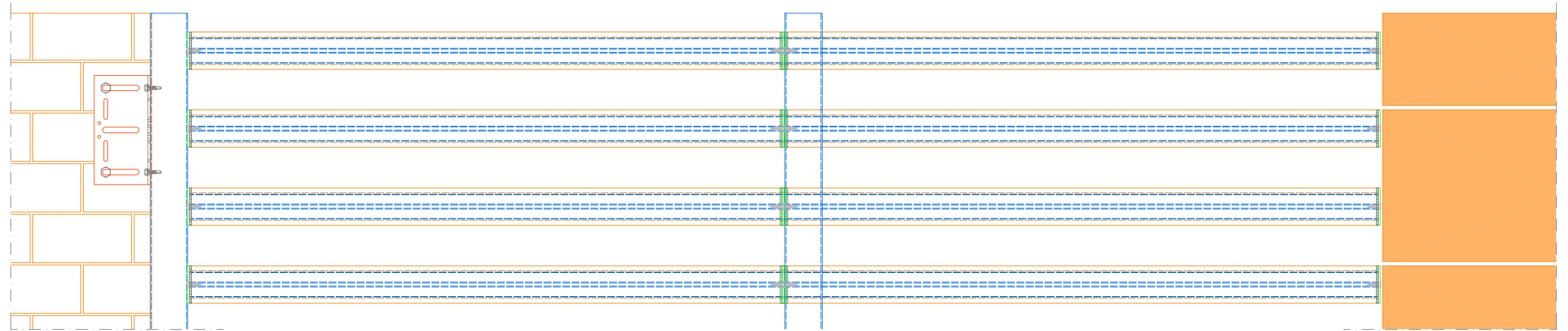
VERTICAL SECTION

scale: 1/8



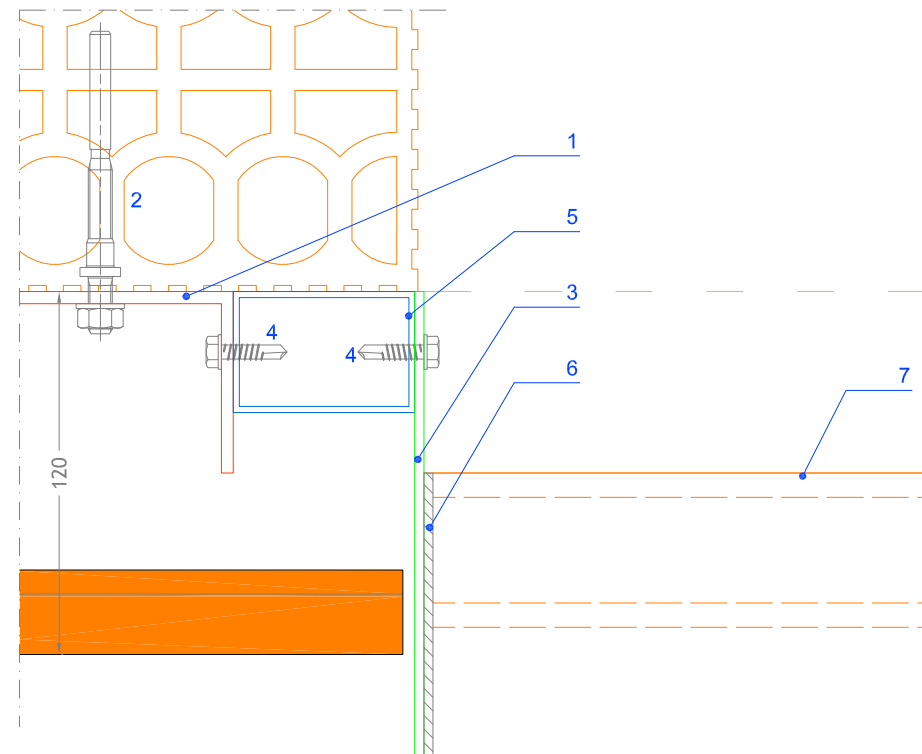
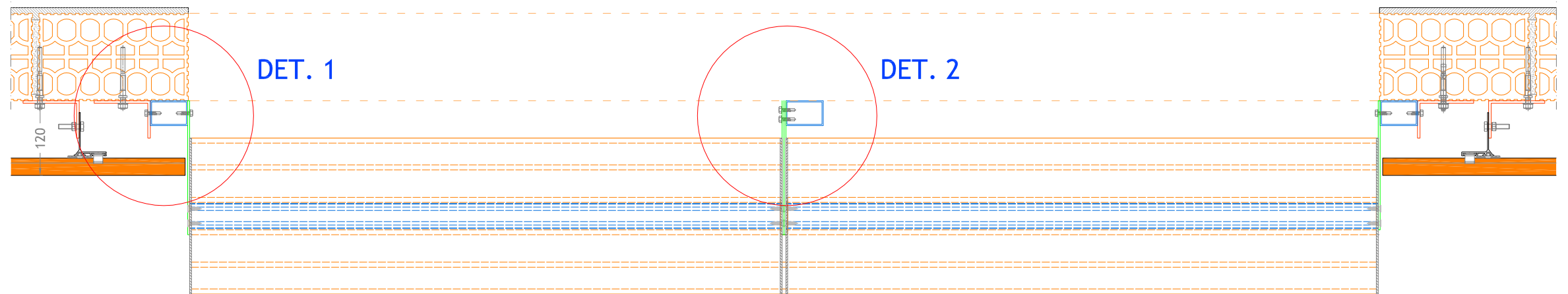
ELEVATION

scale: 1/8

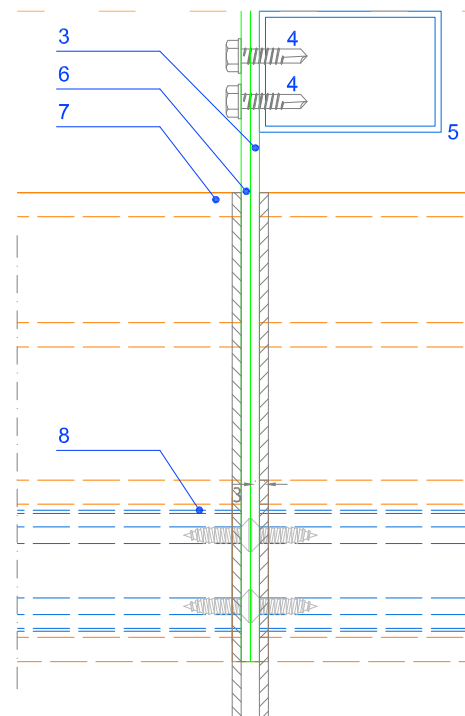


HORIZONTAL SECTION

scale: 1/8



DETAIL 1
scale: 1/2.5



DETAIL 2
scale: 1/2.5

LEGEND :

- 1. SUPPORT/STOP BRACKET
- 2. ANCHORAGE
- 3. ANGULAR GUSSET e=3mm
- 4. AUTOSCREW N12 5.5 MM
- 5. TUBULAR PROFILE (not included)
- 6. NEOPRENE WASHER
- 7. CERAMIC LOUVER ORONA 250x60MM
- 8. SPECIAL TUBULAR PROFILE 40x40MM
- 9. SCREW DIN 7982 5,5x22 AISI 304

Measures in mm.

PROJECT: ORONA LOUVER		CLIENT:	
PLAN: Vertical section - Horizontal Section			PLAN N.:
CONSTRUCTION SITE:		SCALE: VARIAS	REVISION:
DRAWING BY: A.Castel	COMPUTER LOCATION:	DATE: 25/07/2019	

FAVETON
TERRACOTA