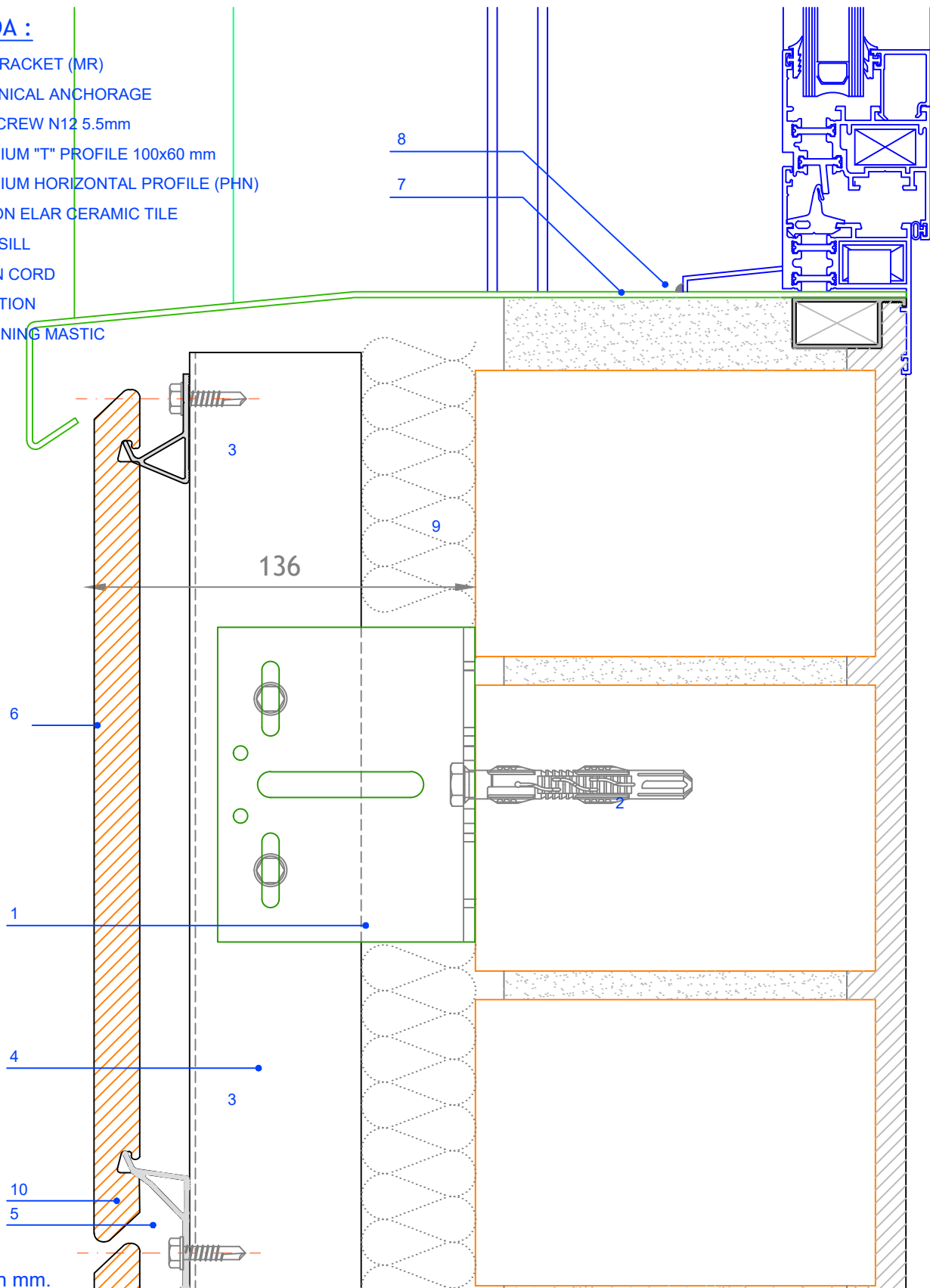


METAL GUTTER DETAIL

scale: 1/2

LEYENDA :

- 1. STOP BRACKET (MR)
- 2. MECHANICAL ANCHORAGE
- 3. AUTOSCREW N12 5.5mm
- 4. ALUMINIUM "T" PROFILE 100x60 mm
- 5. ALUMINIUM HORIZONTAL PROFILE (PHN)
- 6. FAVETON ELAR CERAMIC TILE
- 7. METAL SILL
- 8. SILICON CORD
- 9. INSULATION
- 10. FASTENING MASTIC



Measures in mm.

PROJECT: **PLAN ELAR SINGLE ALUMINUM SYSTEM**

CLIENT:

PLAN: **PLAN ELAR Metallic gutter detail (with blind)**

N° PLANO:

FAVETON
TERRACOTA

CONSTRUCTION SITE:
DRAWING BY: **A GIMÉNEZ**
COMPUTER LOCATION:

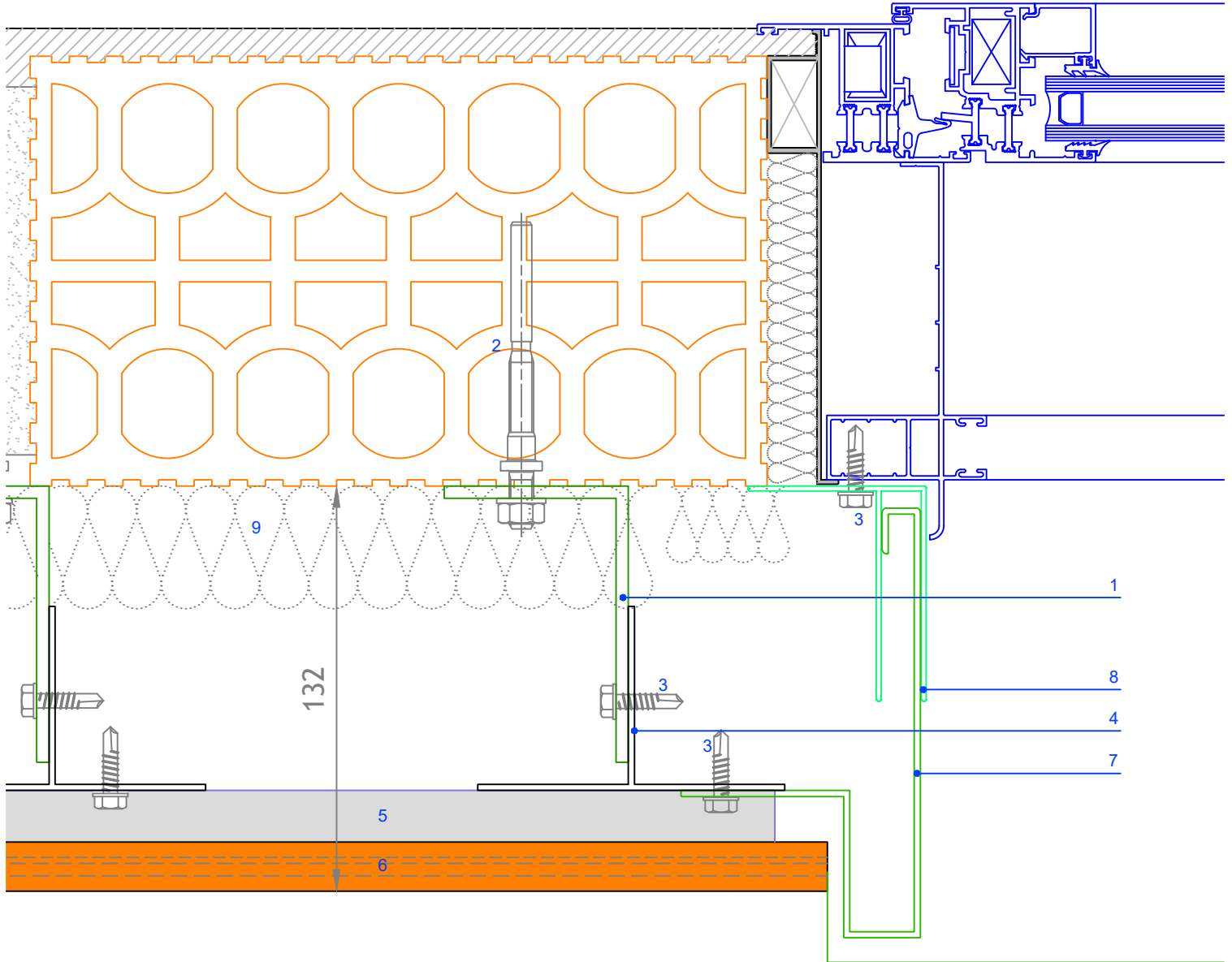
SCALE:
1/2
DATE:
15 / 07 / 19

METAL JAMBS DETAIL (WITH BLIND)

scale: 1/2

LEYENDA :

1. STOP BRACKET (MR)
2. MECHANICAL ANCHORAGE
3. AUTOSCREW N12 5.5mm
4. ALUMINIUM "T" PROFILE 100x60 mm
5. ALUMINIUM HORIZONTAL PROFILE (PHN)
6. FAVETON ELAR CERAMIC TILE
7. METAL JAMB
8. COMPENSATION METAL PROFILE
9. INSULATION



Measures in mm.

PROJECT: PLAN ELAR SINGLE ALUMINUM SYSTEM | CLIENT:

PLAN: PLAN ELAR Metallic jambs detail (with blind) | N° PLANO:

FAVETON
TERRACOTA

CONSTRUCTION SITE:

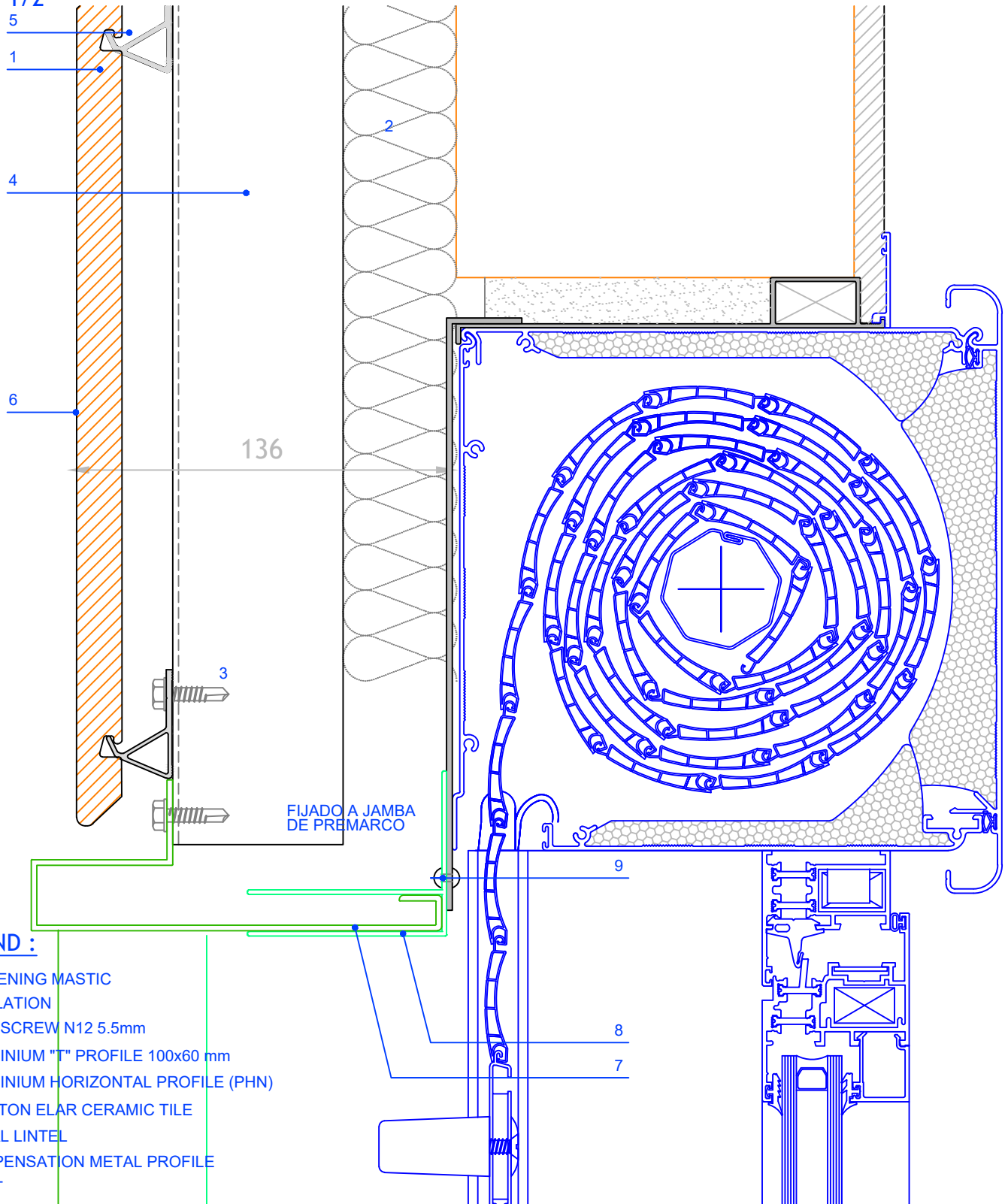
SCALE:
1/2

DRAWING BY: A GIMÉNEZ | COMPUTER LOCATION:

DATE:
15 / 07 / 19

METAL LINTEL DETAIL (WITH BLIND)

scale: 1/2



LEGEND :

1. FASTENING MASTIC
2. INSULATION
3. AUTOSCREW N12 5.5mm
4. ALUMINIUM "T" PROFILE 100x60 mm
5. ALUMINIUM HORIZONTAL PROFILE (PHN)
6. FAVETON ELAR CERAMIC TILE
7. METAL LINTEL
8. COMPENSATION METAL PROFILE
9. RIVET

Measures in mm.

PROJECT: PLAN ELAR SINGLE ALUMINUM SYSTEM

CLIENT:

PLAN: PLAN ELAR Metallic lintel detail (with blind)

N° PLANO:

FAVETON
TERRACOTA

CONSTRUCTION SITE:

SCALE:
1/2

DRAWING BY:
A GIMÉNEZ

COMPUTER LOCATION:

DATE:
15 / 07 / 19