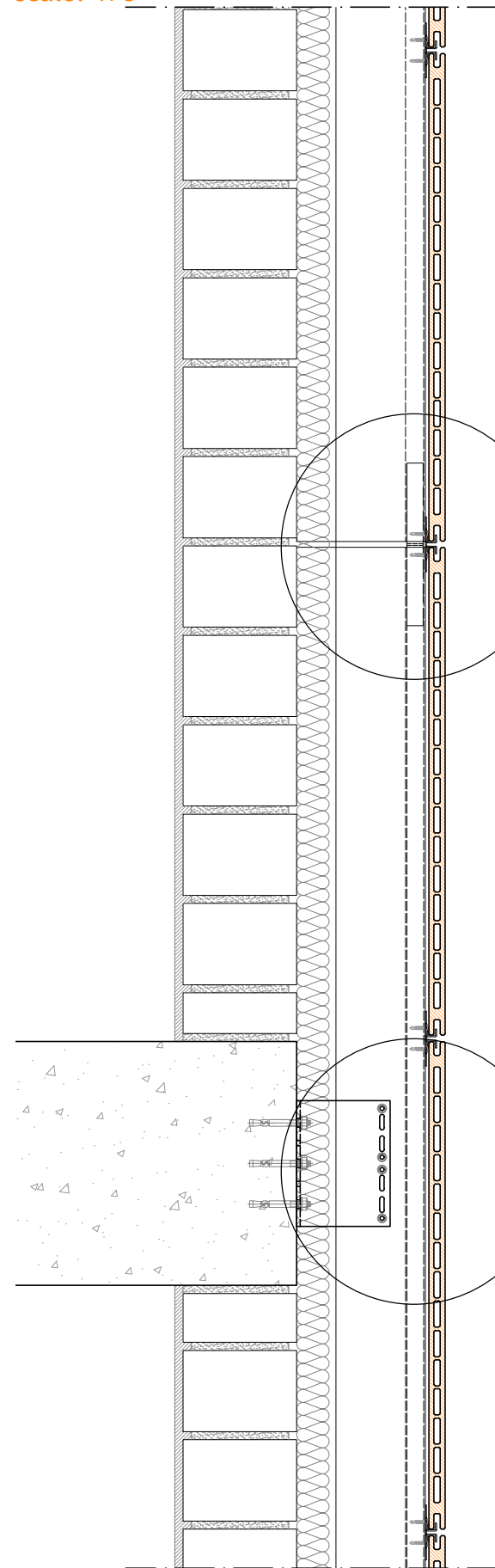


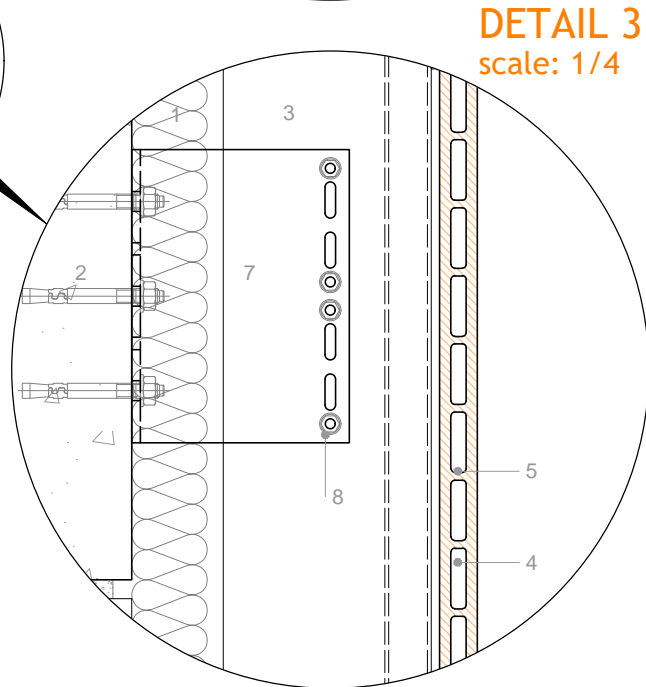
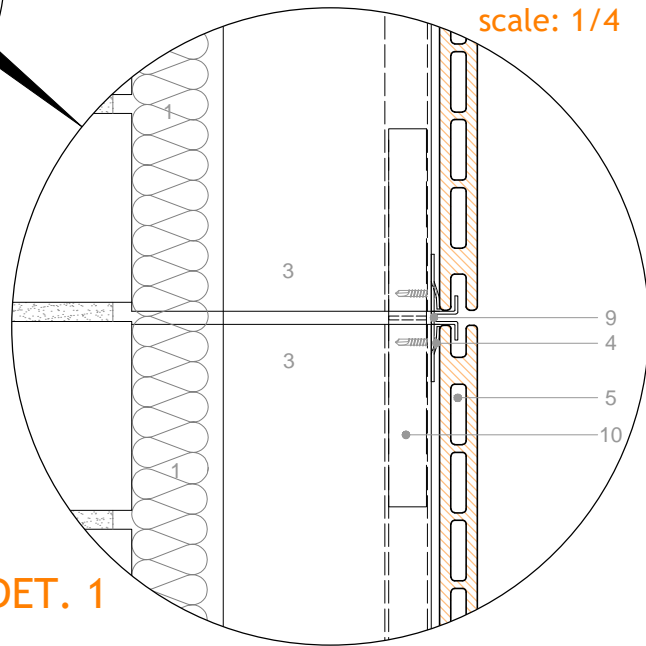
# VERTICAL SECTION

scale: 1/8



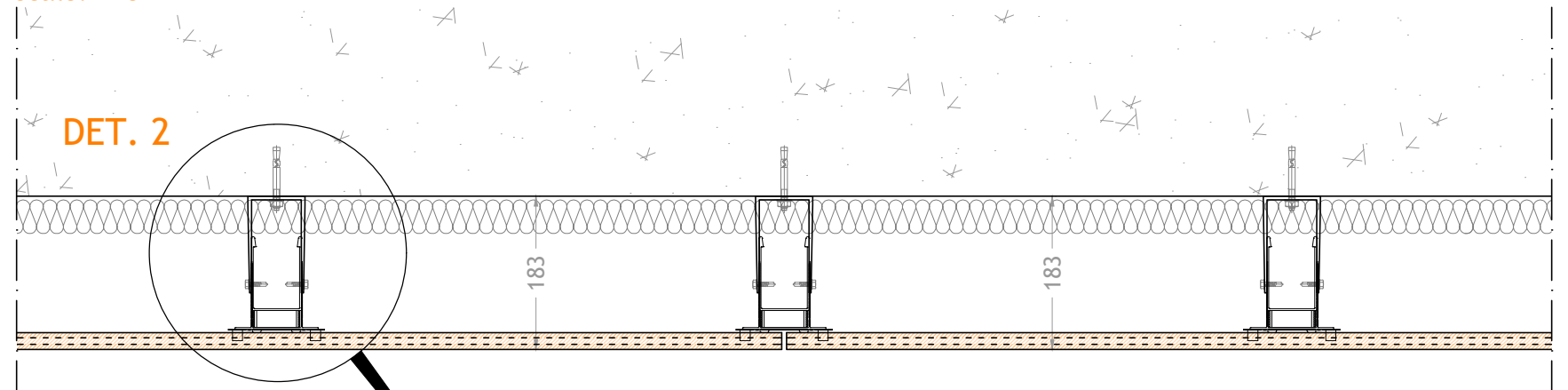
DET. 1

DET. 1

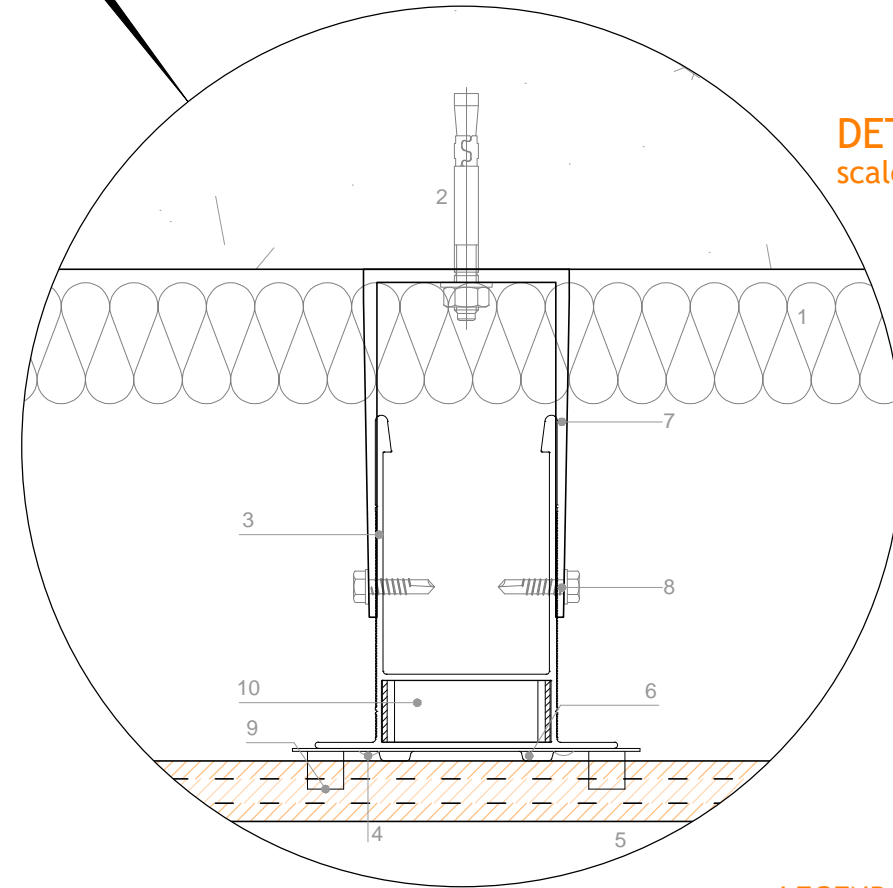


# HORIZONTAL SECTION

scale: 1/8



DET. 2



DETAIL 2  
scale: 1/2.5

### LEGEND :

- 1. INSULATION
- 2. ANCHOR
- 3. PFF-VERTICAL PROFILE
- 4. FLAT HEAD SCREW
- 5. CERAMIC TILE FAVETON ACQUA
- 6. METAL STRIP
- 7. BRACKET
- 8. SELF DRILLING SCREW
- 9. PRIMARY CLIP
- 10. PROFILE CLIP

Heights in mm.

PROJECT: <b>SLAB TO SLAB SYSTEM</b>		CLIENT:	
PLAN: Vertical - Horizontal Section - SAF		N° PLAN:	
		SITE PLACEMENT:	
		DRAW BY:	
		SCALE:	CHECK:
		DATE: 30/03/21	