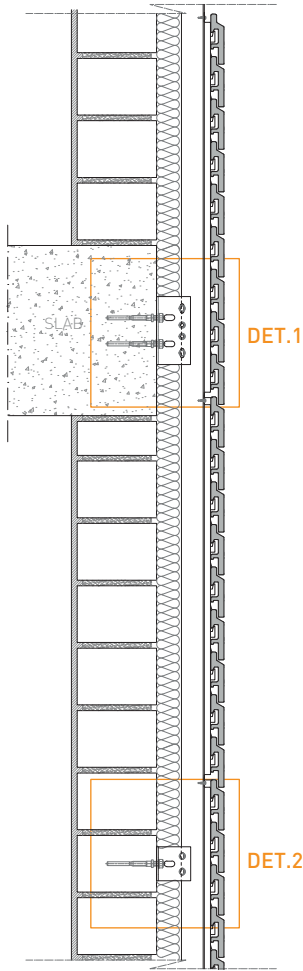
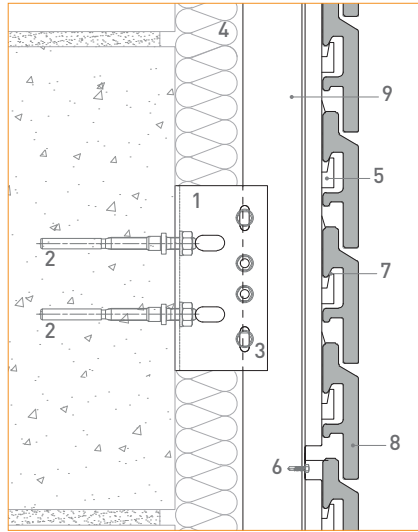
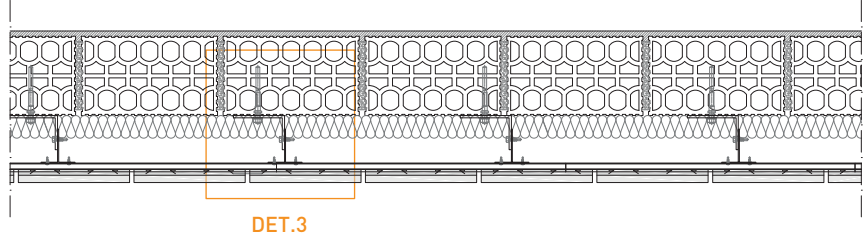


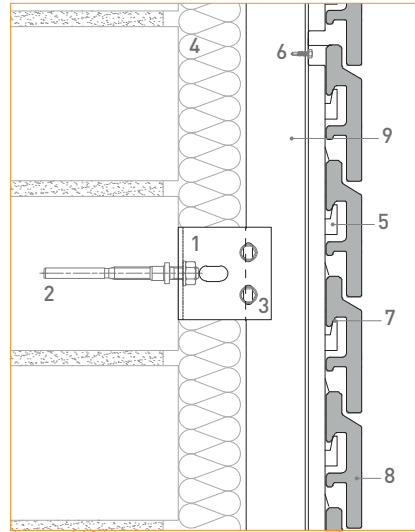
VERTICAL SECTION



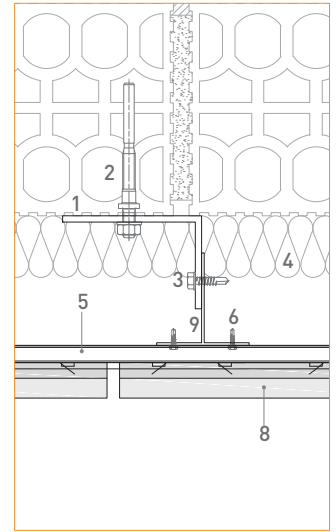
HORIZONTAL SECTION



1. Support bracket



2. Stop bracket



3. Horizontal detail