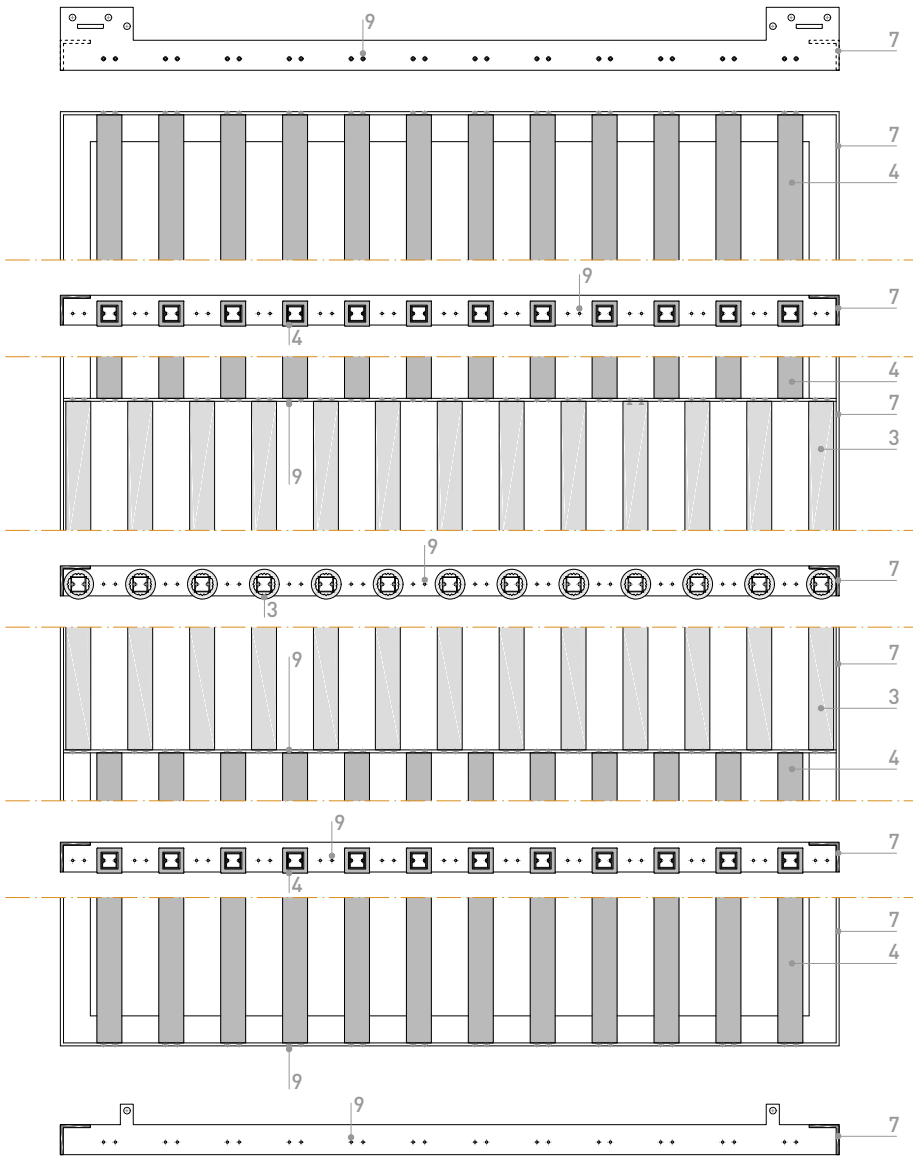
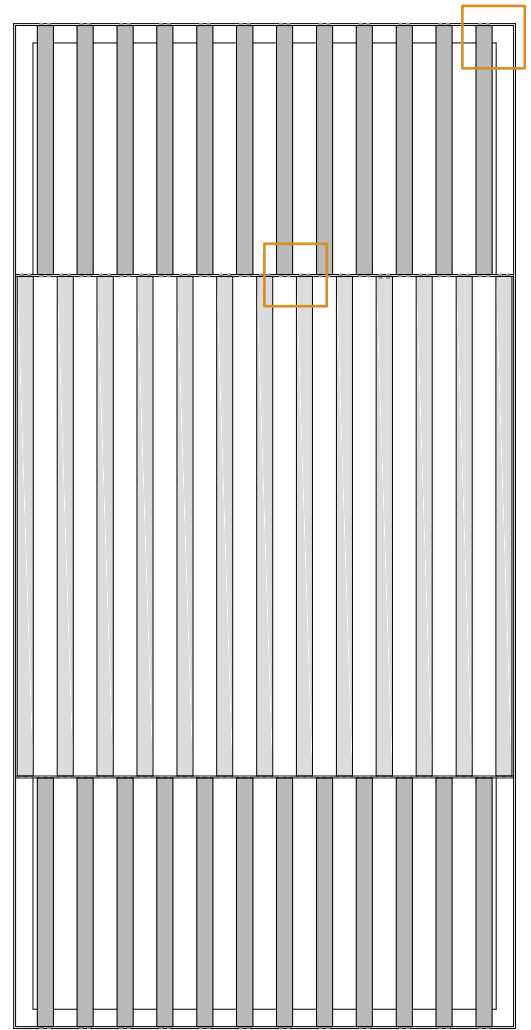


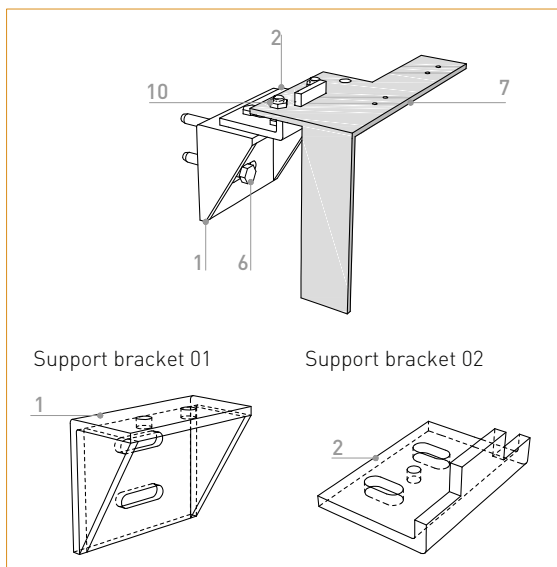
SECTIONS



ELEVATION



1. MODULE ANCHOR SYSTEM



2. LOUVERS ANCHOR SYSTEM

