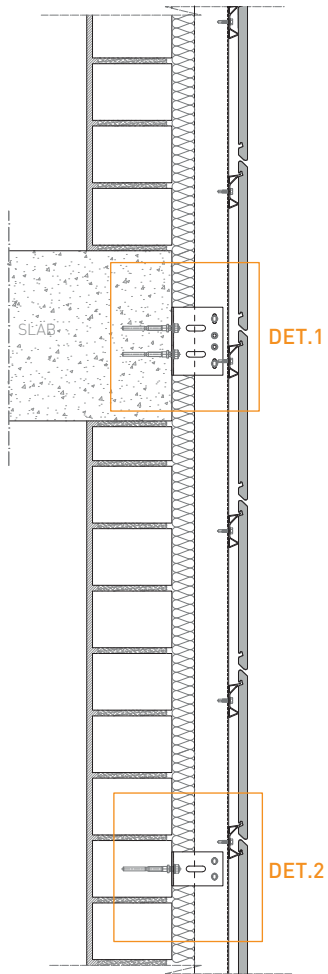


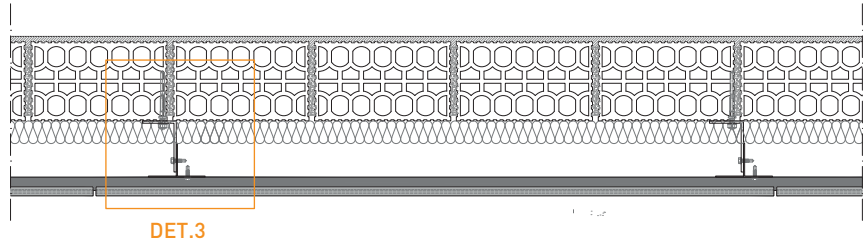
# VERTICAL SECTION



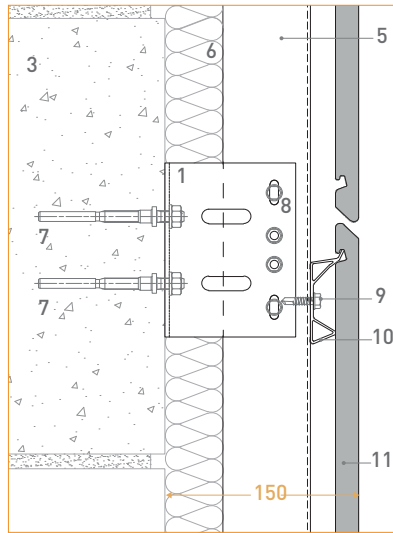
DET.1

DET.2

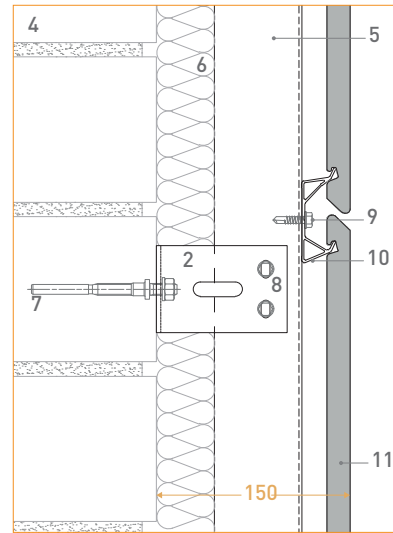
# HORIZONTAL SECTION



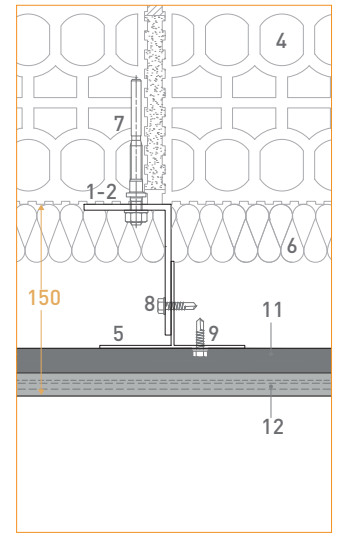
DET.3



1. Support bracket



2. Stop bracket



3. Horizontal detail